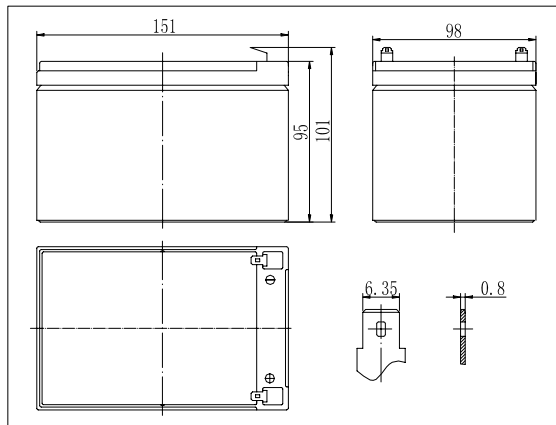


**Dimensions**

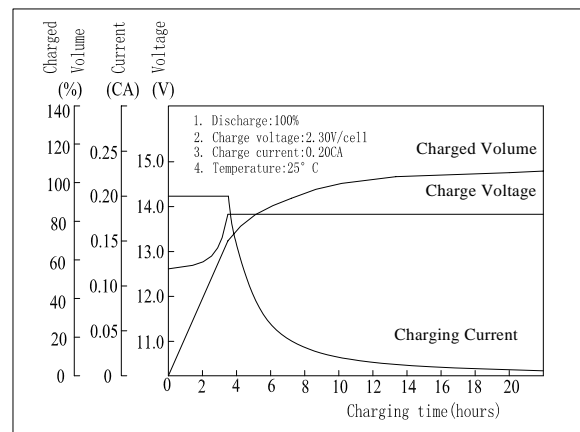


**Specifications**

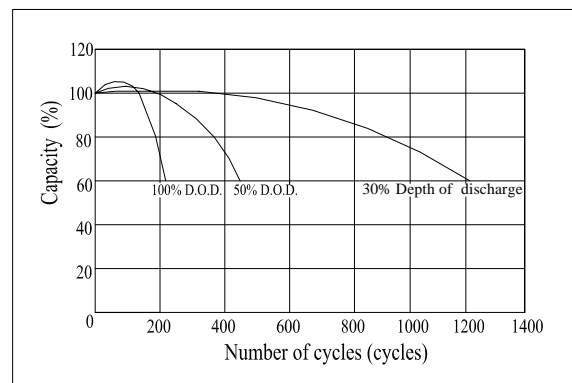
Nominal Voltage	12 V	
Capacity(20HR, 25°C)	13 Ah	
Dimension	Length	151mm (5.94inch)
	Width	98mm (3.86inch)
	Height	95mm (3.74inch)
	Total Height	101mm (3.98inch)
Approx. Weight	4.20kg (9.26lbs)	
Internal resistance (Fully charged, 25°C)	Approx. 17mΩ	
Capacity affected by temperature (20HR)	40°C	102%
	25°C	100%
	0°C	85%
	-15°C	65%
Self-discharge (25°C)	3 month	Remaining Capacity: 91%
	6 month	Remaining Capacity: 82%
	12 month	Remaining Capacity: 65%
Nominal operating temperature	25°C ± 3°C (77°F ± 5°F)	
Operating temperature range	-15°C ~ 50°C (5°F ~ 122°F)	
Float charging voltage(25°C)	13.38 to 13.80V	
Cyclic charging voltage(25°C)	14.40 to 15.00V	
Maximum charging current	4.8A	
Terminal material	Copper	
Maximum discharge current	180A(5 sec.)	

- ◆ Absorbent glass mat technology;
- ◆ Recognized by UL & CE;
- ◆ Flame retardant ABS container ( UL94V-0 / 94 V-2 )

**Charging Characteristics(25°C)**



**Cycle Life(25°C)**



Note: Floating life designed for 5 years at 25°C.

**Constant Current Discharge Characteristics (A, 25°C)**

F.V/TIME	5min	10min	15min	30min	60min	2h	3h	5h	8h	10h	20h
9.60V	46.0	31.0	24.5	13.5	7.80	4.26	3.17	2.08	1.34	1.12	0.60
10.2V	43.7	29.5	23.5	13.0	7.49	4.20	3.12	2.05	1.33	1.11	0.59
10.8V	41.0	27.7	22.3	12.3	7.11	4.12	3.06	2.01	1.32	1.10	0.59

**Constant Power Discharge Characteristics (Watt, 25°C)**

F.V/TIME	5min	10min	15min	30min	60min	2h	3h	5h	8h	10h	20h
9.60V	513	350	279	155	90.3	49.9	37.6	25.0	16.1	13.4	7.20
10.2V	488	332	268	149	86.7	49.1	37.1	24.5	15.9	13.3	7.10
10.8V	458	312	255	141	82.4	48.2	36.3	24.0	15.8	13.3	7.10