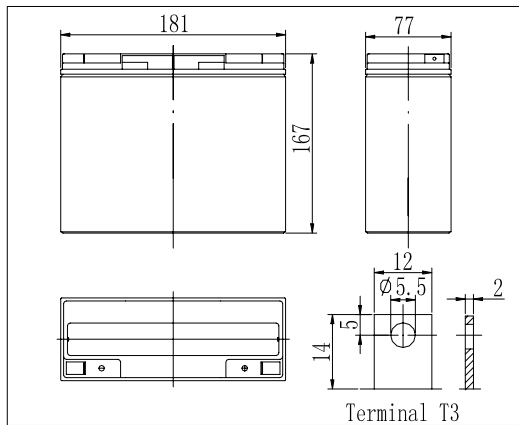


Dimensions

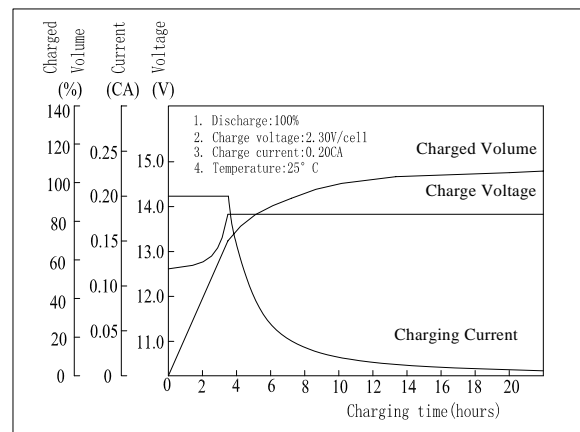


Specifications

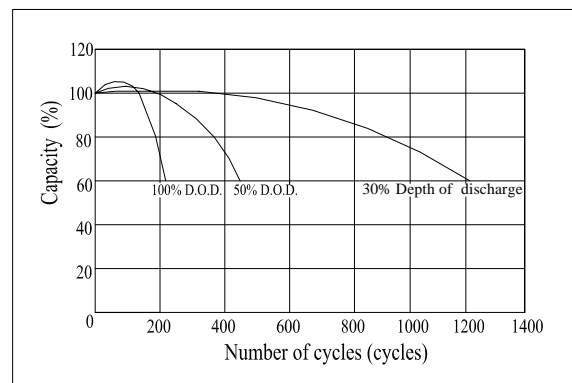
Nominal Voltage	12 V	
Capacity(20HR, 25°C)	21 Ah	
Dimension	Length	181mm (7.13inch)
	Width	77mm (3.03inch)
	Height	167mm (6.57inch)
	Total Height	167mm (6.57inch)
Approx. Weight	5.8kg (12.8lbs)	
Internal resistance (Fully charged, 25°C)	Approx. 15mΩ	
Capacity affected by temperature (20HR)	40°C	102%
	25°C	100%
	0°C	85%
	-15°C	65%
Self-discharge (25°C)	3 month	Remaining Capacity: 91%
	6 month	Remaining Capacity: 82%
	12 month	Remaining Capacity: 65%
Nominal operating temperature	25°C ± 3°C (77°F ± 5°F)	
Operating temperature range	-15°C ~ 50°C (5°F ~ 122°F)	
Float charging voltage(25°C)	13.38 to 13.80V	
Cyclic charging voltage(25°C)	14.40 to 15.00V	
Maximum charging current	8A	
Terminal material	Copper	
Maximum discharge current	315A(5 sec.)	

- ◆ Absorbent glass mat technology;
- ◆ Recognized by UL & CE;
- ◆ Flame retardant ABS container (UL94V-0 / 94 V-2)

Charging Characteristics(25°C)



Cycle Life(25°C)



Note: Floating life designed for 5 years at 25°C.

Constant Current Discharge Characteristics (A, 25°C)

F.V/TIME	5min	10min	15min	30min	60min	2h	3h	5h	8h	10h	20h
9.60V	80.0	52.0	39.0	21.5	13.5	7.11	5.45	3.55	2.21	1.92	1.06
10.2V	76.0	49.4	37.4	20.6	13.0	7.00	5.35	3.35	2.20	1.90	1.06
10.8V	71.4	46.4	35.5	19.6	12.4	6.86	5.24	3.43	2.23	1.86	1.02

Constant Power Discharge Characteristics (Watt, 25°C)

F.V/TIME	5min	10min	15min	30min	60min	2h	3h	5h	8h	10h	20h
9.60V	893	587	445	246	156	83.1	64.5	42.4	26.8	23.0	12.7
10.2V	848	557	426	236	151	81.9	63.6	41.8	26.6	22.8	12.7
10.8V	797	523	405	225	144	80.3	62.3	41.0	26.4	22.3	12.2