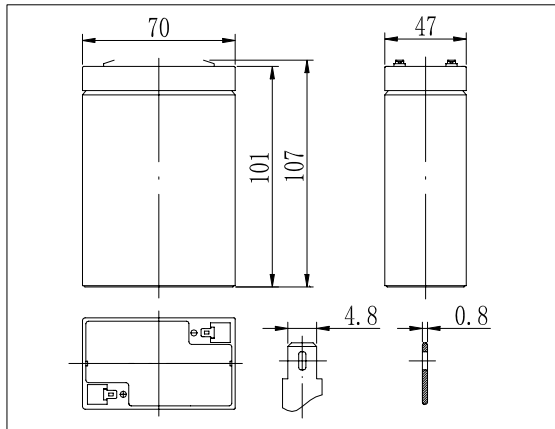


Dimensions

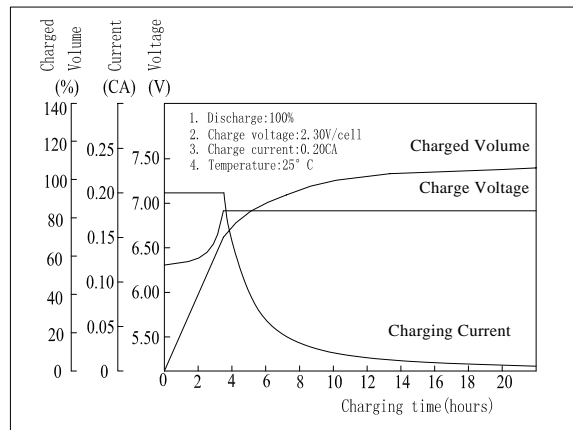


Specifications

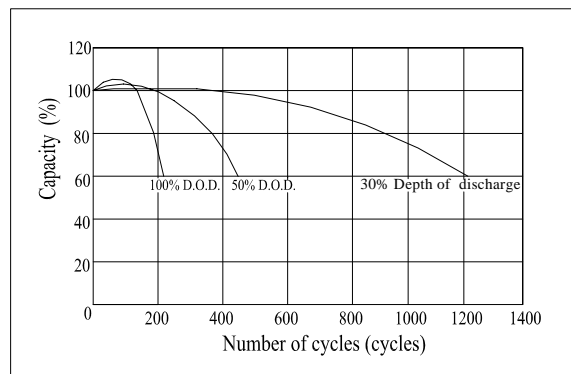
Nominal Voltage		6 V
Capacity(20HR, 25°C)		4.5 Ah
Dimension	Length	70mm (2.76inch)
	Width	47mm (1.85inch)
	Height	101mm (3.98inch)
	Total Height	107mm (4.21inch)
Approx. Weight		0.75kg (1.65lbs)
Internal resistance (Fully charged, 25°C)		Approx. 22mΩ
Capacity affected by temperature (20HR)	40°C	102%
	25°C	100%
	0°C	85%
	-15°C	65%
Self-discharge (25°C)	3 month	Remaining Capacity: 91%
	6 month	Remaining Capacity: 82%
	12 month	Remaining Capacity: 65%
Nominal operating temperature		25°C ± 3°C (77°F ± 5°F)
Operating temperature range		-15°C ~ 50°C (5°F ~ 122°F)
Float charging voltage(25°C)		6.69 to 6.90V
Cyclic charging voltage(25°C)		7.20 to 7.50V
Maximum charging current		1.8 A
Terminal material		Copper
Maximum discharge current		68A(5 sec.)

- ◆ Absorbent glass mat technology;
- ◆ Recognized by UL & CE;
- ◆ Flame retardant ABS container (UL94V-0 / 94 V-2)

Charging Characteristics(25°C)



Cycle Life(25°C)



Note: Floating life designed for 5 years at 25°C

Constant Current Discharge Characteristics (A, 25°C)

F.V/TIME	5min	10min	15min	30min	60min	2h	3h	5h	8h	10h	20h
4.80V	16.2	10.8	8.80	4.80	3.10	1.60	1.12	0.76	0.50	0.45	0.23
5.10V	15.4	10.3	8.45	4.65	3.02	1.58	1.10	0.75	0.50	0.45	0.23
5.40V	14.5	9.6	8.03	4.47	2.92	1.54	1.06	0.74	0.49	0.44	0.22

Constant Power Discharge Characteristics (Watt, 25°C)

F.V/TIME	5min	10min	15min	30min	60min	2h	3h	5h	8h	10h	20h
4.80V	90.4	60.9	50.1	27.5	17.9	9.35	6.65	4.54	3.00	2.70	1.38
5.10V	85.9	58.1	48.1	26.6	17.5	9.21	6.53	4.48	2.96	2.70	1.38
5.40V	80.9	54.4	45.7	25.6	16.9	9.03	6.30	4.42	2.93	2.64	1.32