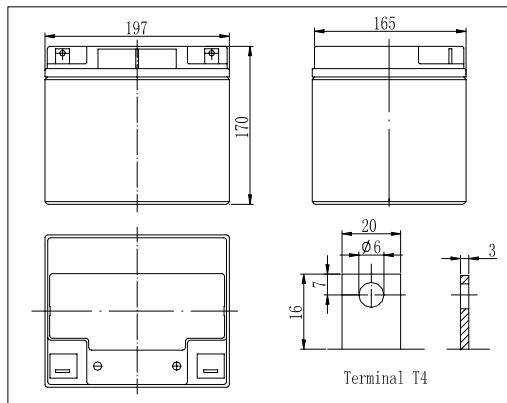


**Dimensions**

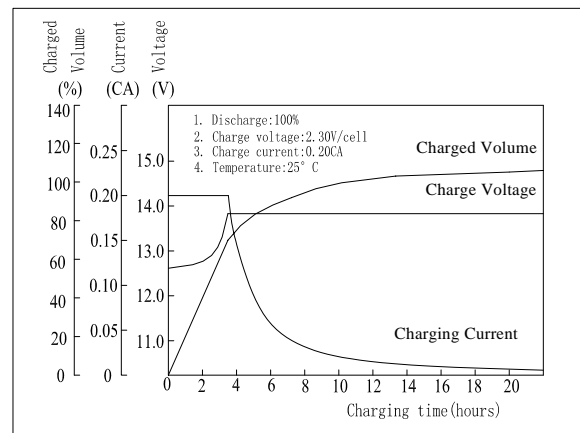


**Specifications**

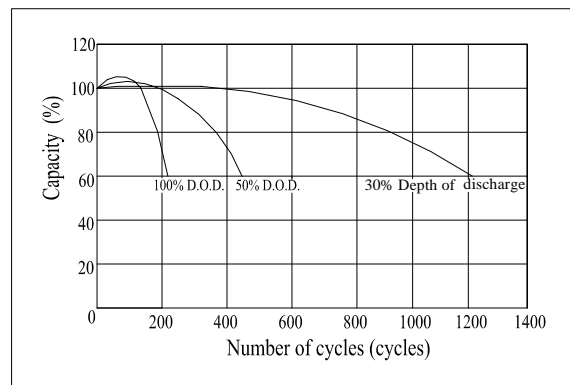
Nominal Voltage		12 V
Capacity(10HR, 25°C)		40Ah
Dimension	Length	197mm (7.76inch)
	Width	165mm (6.50inch)
	Height	170mm (6.69inch)
	Total Height	170mm (6.69inch)
Approx. Weight		13.5kg (29.8lbs)
Internal resistance (Fully charged, 25°C)		Approx. 9.5m Ω
Capacity affected by temperature (10HR)	40°C	102%
	25°C	100%
	0°C	85%
	-15°C	65%
Self-discharge (25°C)	3 month	Remaining Capacity: 91%
	6 month	Remaining Capacity: 82%
	12 month	Remaining Capacity: 65%
Nominal operating temperature		25°C ± 3°C (77°F ± 5°F)
Operating temperature range		-15°C ~ 50°C (5°F ~ 122°F)
Float charging voltage(25°C)		13.38 to 13.80V
Cyclic charging voltage(25°C)		14.40 to 15.00V
Maximum charging current		12A
Terminal material		Copper
Maximum discharge current		400A(5 sec.)

- ◆ Absorbent glass mat technology;
- ◆ Recognized by UL & CE;
- ◆ Flame retardant ABS container ( UL94V-0 / 94 V-2 )

**Charging Characteristics(25°C)**



**Cycle Life(25°C)**



Note: Floating life designed for 10 years at 25°C

**Constant Current Discharge Characteristics (A, 25°C)**

F.V/TIME	5min	10min	15min	30min	60min	2h	3h	5h	8h	10h	20h
9.60V	122	81.0	68.0	40.0	26.0	14.6	10.4	7.31	4.87	4.06	2.10
10.2V	116	77.0	65.3	38.4	25.0	14.4	10.2	7.20	4.83	4.02	2.10
10.8V	109	72.3	62.0	36.5	23.7	14.1	10.0	7.06	4.80	4.00	2.05

**Constant Power Discharge Characteristics (Watt, 25°C)**

F.V/TIME	5min	10min	15min	30min	60min	2h	3h	5h	8h	10h	20h
9.60V	1281	875	747	449	296	169	122	86.4	58.5	48.5	25.2
10.2V	1217	831	717	431	285	167	120	85.1	57.9	48.0	25.2
10.8V	1144	781	681	409	270	163	118	83.4	57.6	48.0	24.6