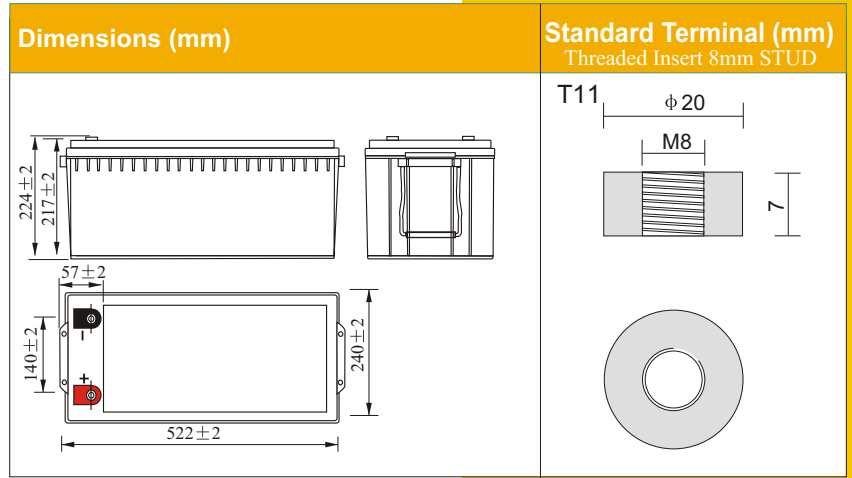
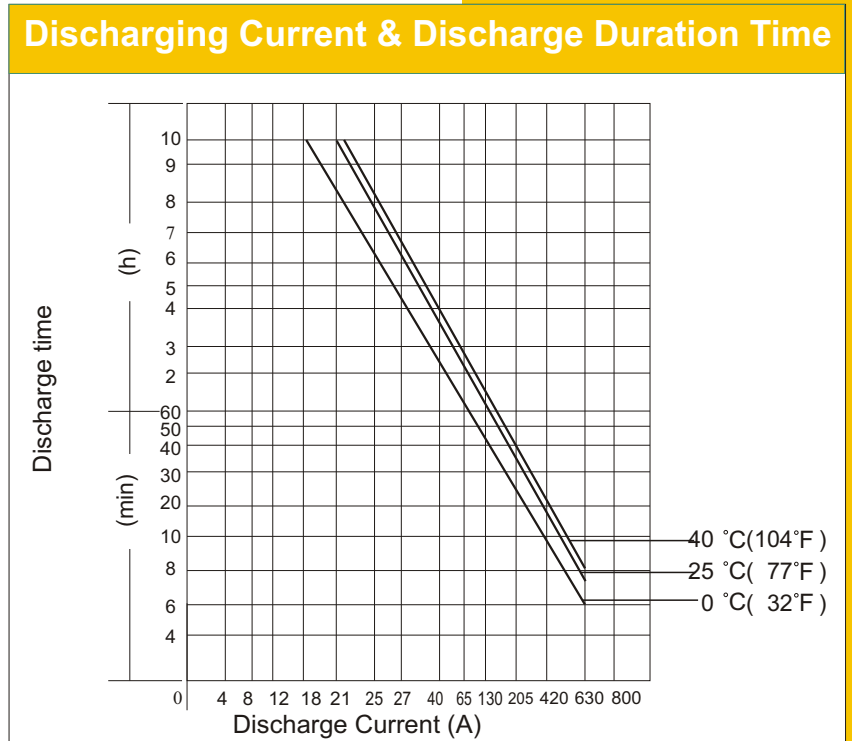




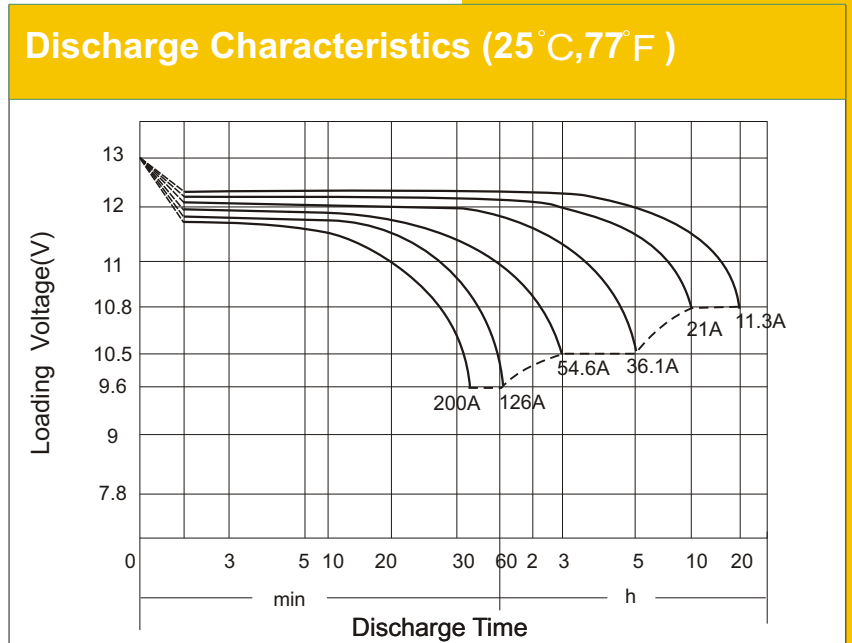
DJM12200(12V200AH)



| PHYSICAL SPECIFICATION | | |
|-------------------------|---------------------------|---------------------------|
| Nominal Voltage | | 12V |
| Nominal Capacity (10HR) | | 210AH |
| Dimension | Length | 522 ± 3mm (20.55 inches) |
| | Width | 240 ± 2mm (9.45 inches) |
| | Container Height | 218 ± 2mm (8.58 inches) |
| | Total Height (with Cover) | 224 ± 2mm (8.81 inches) |
| Weight | | Approx 64kg (141.2lbs) |
| Standard Terminal | | Threaded Insert 11mm STUD |



| ELECTRICAL SPECIFICATION | | | | | |
|----------------------------------|--|----------|-------------------------|---|--|
| Rated Capacity | 20 hour rate (11.3 A) | 226.0 AH | Constant-Voltage Charge | Cycle | Initial Charging Current less than 60A. Voltage 14.4V~ 15.0V at 25°C (77°F) Temp. Coefficient -30mV/°C |
| | 10 hour rate (21.0A) | 210.0 AH | | | |
| | 5 hour rate (36.1A) | 180.5AH | | | |
| | 3 hour rate (54.6A) | 163.8AH | | | |
| | 1 hour rate (126.0A) | 126.0AH | | | |
| Capacity affected by Temperature | 40°C (104°F) | 103% | Standby | No limit on Initial Charging Current Voltage 13.5V~13.8V at 25°C (77°F) Temp. Coefficient - 20mV/°C | |
| | 25°C (77°F) | 100% | | | |
| | 0°C (32°F) | 86% | | | |
| Internal Resistance | Fully charged battery (25°C, 77°F) 2.8mΩ | | | | |



| Constant Current (Amp) and Constant Power (Watt/Cell) Discharge Table | | | | | | | | | | | | |
|---|--------|--|-----|-----|-----|------|------|------|------|------|------|------|
| Final voltage | Time | Discharge Time (Minute) to final voltage /cell | | | | | | | | | | |
| | | 10 | 20 | 30 | 60 | 120 | 180 | 240 | 300 | 360 | 480 | 600 |
| 1.80V | A | 374 | 246 | 201 | 118 | 68.8 | 51.8 | 41.1 | 35.2 | 31.0 | 24.9 | 21.0 |
| | 25°C W | 682 | 455 | 378 | 227 | 133 | 100 | 79.8 | 68.7 | 60.7 | 49.5 | 41.9 |
| 1.75V | A | 411 | 264 | 208 | 124 | 71.3 | 54.6 | 42.0 | 36.1 | 31.9 | 26.1 | 21.2 |
| | 25°C W | 743 | 485 | 386 | 236 | 137 | 109 | 83.8 | 72.0 | 63.8 | 51.3 | 42.3 |
| 1.60V | A | 515 | 305 | 242 | 137 | 78.8 | 60.3 | 46.7 | 40.0 | 34.0 | 27.2 | 22.3 |
| | 25°C W | 892 | 561 | 456 | 255 | 150 | 116 | 89.8 | 77.1 | 65.9 | 53.1 | 43.9 |
| 1.80V | A | 319 | 210 | 171 | 101 | 58.6 | 44.1 | 35.0 | 30.0 | 26.4 | 21.2 | 17.9 |
| | 5°C W | 581 | 387 | 322 | 194 | 113 | 85.5 | 68.0 | 58.5 | 51.7 | 42.2 | 35.7 |
| 1.75V | A | 350 | 225 | 178 | 105 | 60.8 | 46.5 | 35.8 | 30.8 | 27.2 | 22.3 | 18.1 |
| | 5°C W | 633 | 413 | 329 | 201 | 117 | 92.7 | 69.3 | 61.4 | 53.1 | 43.7 | 36.1 |
| 1.60V | A | 447 | 268 | 206 | 116 | 67.1 | 51.4 | 39.8 | 34.1 | 29.0 | 23.2 | 19.0 |
| | 5°C W | 760 | 478 | 388 | 217 | 128 | 98.6 | 76.5 | 65.6 | 56.1 | 45.2 | 37.4 |