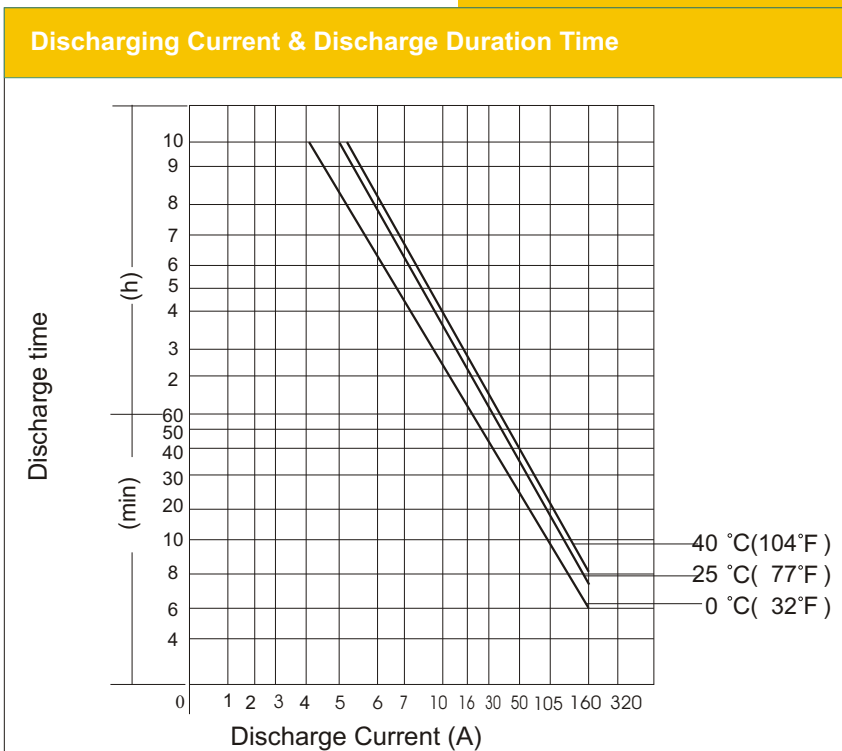
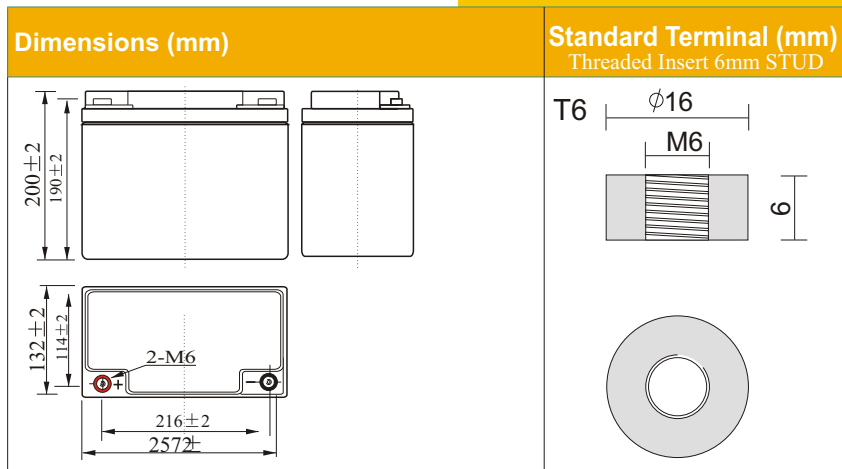




# DJM1250(12V50AH)

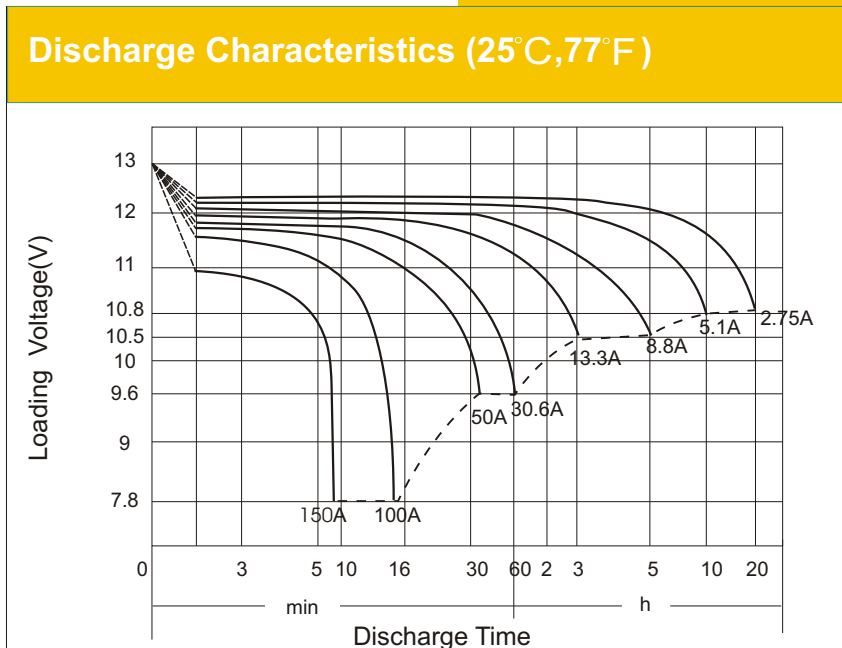


## PHYSICAL SPECIFICATION

Nominal Voltage		12V
Nominal Capacity (10HR)		51AH
Dimension	Length	257 ± 2mm (10.12 inches)
	Width	132 ± 2mm (5.20 inches)
	Container Height	200 ± 2mm (7.87 inches)
	Total Height (with Cover)	200 ± 2mm (7.87 inches)
Weight		Approx 18.1kg (39.91 lbs)
Standard Terminal		Threaded Insert 6mm STUD

## ELECTRICAL SPECIFICATION

Rated Capacity	20 hour rate (2.75A)	55.0 AH	Constant-Voltage	Cycle	Initial Charging Current less than 15A. Voltage 14.4V~ 15.0V at 25°C (77°F) Temp. Coefficient -30mV/°C
	10 hour rate (5.10A)	51.0 AH			
	5 hour rate (8.8A)	44.0 AH			
	3 hour rate (13.3A)	39.9 AH			
	1 hour rate (30.6A)	30.6 AH			
Capacity affected by Temperature	40°C (104°F)	103%	Charge	Standby	No limit on Initial Charging Current Voltage 13.5V~13.8V at 25°C (77°F) Temp. Coefficient - 20mV/°C
	25°C (77°F)	100%			
	0°C (32°F)	86%			
Internal Resistance	Fully charged battery (25°C, 77°F) 8.0mΩ				



## Constant Current (Amp) and Constant Power (Watt/Cell) Discharge Table

Final voltage	Time	Discharge Time (Minute) to final voltage /cell										
		10	20	30	60	120	180	240	300	360	480	600
1.80V	A	90.8	59.8	48.7	28.7	16.7	12.6	9.97	8.54	7.53	6.10	5.10
	25°C W	166	110	91.9	55.2	32.2	24.4	19.4	16.7	14.7	12.1	10.2
1.75V	A	99.9	64.2	50.6	30.0	17.3	13.3	10.2	8.77	7.75	6.34	5.15
	25°C W	180	118	93.7	57.4	33.3	26.4	19.8	17.5	15.1	12.5	10.3
1.60V	A	118	72.5	58.7	33.2	19.1	14.6	11.3	9.72	8.26	6.60	5.42
	25°C W	207	136	111	61.9	36.5	28.1	21.8	18.7	16.0	12.9	10.7
1.80V	A	77.4	51.0	41.5	24.5	14.2	10.7	8.49	7.28	6.41	5.15	4.35
	5°C W	141	94.1	78.3	47.0	27.4	20.8	16.5	14.2	12.6	10.3	8.67
1.75V	A	85.1	54.7	43.1	25.6	14.8	11.3	8.69	7.47	6.60	5.41	4.39
	5°C W	154	100	79.8	48.9	28.4	22.5	16.8	14.9	12.9	10.6	8.76
1.60V	A	109	65.2	50.0	28.2	16.3	12.5	9.67	8.28	7.03	5.62	4.62
	5°C W	185	116	94.2	52.7	31.1	23.9	18.6	15.9	13.6	11.0	9.09