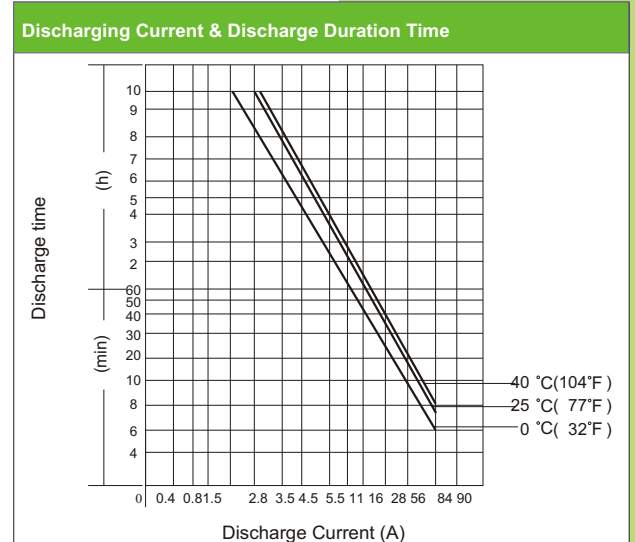
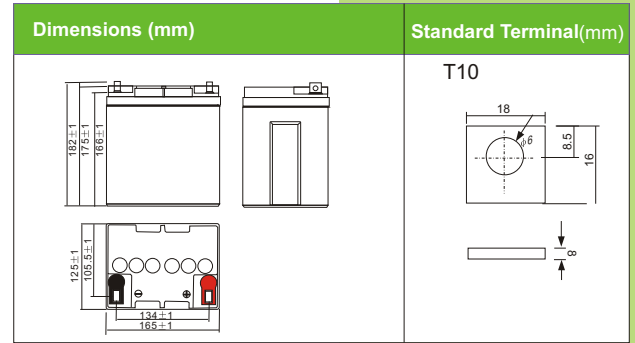


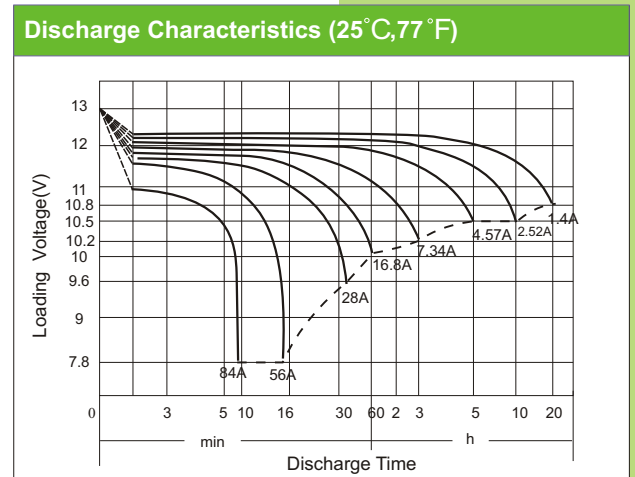


# DJW12-28 (12V28AH)



PHYSICAL SPECIFICATION		
Nominal Voltage		12V
Nominal Capacity (20HR)		28AH
Dimension	Length	165 ± 1mm (6.50 inches)
	Width	125 ± 1mm (4.92 inches)
	Container Height	175 ± 1mm (6.89 inches)
	Total Height (with Cover)	182 ± 1mm (7.17 inches)
Weight		Approx 9.7kg (21.4lbs)
Standard Terminal		T10(standard)

ELECTRICAL SPECIFICATION					
Rated Capacity	20 hour rate (1.40 A)	28.0AH	Constant-Voltage Charge	Cycle	Initial Charging Current less than 8.4A. Voltage 14.4V~ 15.0V at 25°C (77°F) Temp. Coefficient -30mV/C
	10 hour rate (2.52 A)	25.2AH			
	5 hour rate (4.57 A)	22.8AH			
	1 hour rate (16.8 A)	16.8AH			
Capacity affected by Temperature	15minute rate (53.0 A)	13.3AH	Standby	No limit on Initial Charging Current Voltage 13.5V~13.8V at 25°C (77°F) Temp. Coefficient - 20mV/C	
	40°C (104°F)	103%			
	25°C (77°F)	100%			
0°C (32°F)	86%				
Internal Resistance	Fully charged battery (25°C, 77°F) 12mΩ				



## Constant Current (Amp) and Constant Power (Watt/Cell) Discharge Table

Final voltage	Time	Discharge Time (Minute) to final voltage /cell												
		0.5	1	2	3	6	10	20	30	60	120	180	300	600
1.75V	A	168	154	140	112	95.0	62.5	38.0	29.0	15.7	10.0	7.14	4.57	2.52
25°C	W	267	229	208	166	142	113	69.3	53.6	30.1	19.3	14.2	9.07	5.02
1.70V	A	227	202	185	146	114	68.2	39.9	30.1	16.2	10.4	7.34	4.79	2.65
25°C	W	365	313	283	229	171	118	72.6	55.6	30.9	20.7	14.3	9.29	5.27
1.60V	A	295	258	229	180	136	79.8	43.2	33.4	18.1	11.0	7.89	5.12	2.72
25°C	W	425	367	327	257	190	136	76.9	65.9	33.7	21.0	15.1	9.86	5.34
1.75V	A	146	132	124	98	76.0	55.9	34.0	25.9	14.1	8.98	6.39	4.09	2.25
5°C	W	233	210	196	154	125	101	62.0	48.0	26.9	17.3	12.7	8.12	4.49
1.70V	A	202	187	168	132	101	61.0	35.7	26.9	14.5	9.32	6.57	4.29	2.37
5°C	W	313	275	253	202	158	106	65.0	49.8	27.7	18.5	12.8	8.32	4.72
1.60V	A	253	225	194	152	112	71.4	38.6	29.9	16.3	9.87	7.06	4.58	2.43
5°C	W	390	344	303	244	186	121	68.8	59.0	30.4	18.8	13.5	8.82	4.78