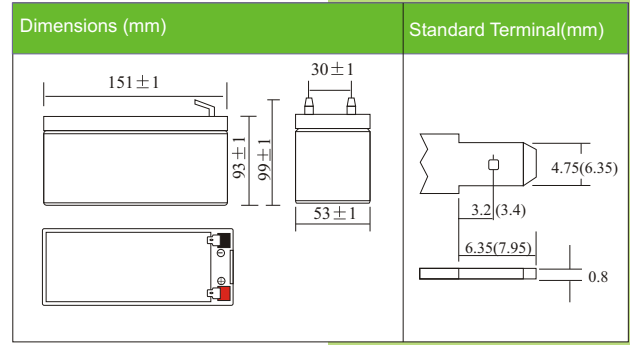
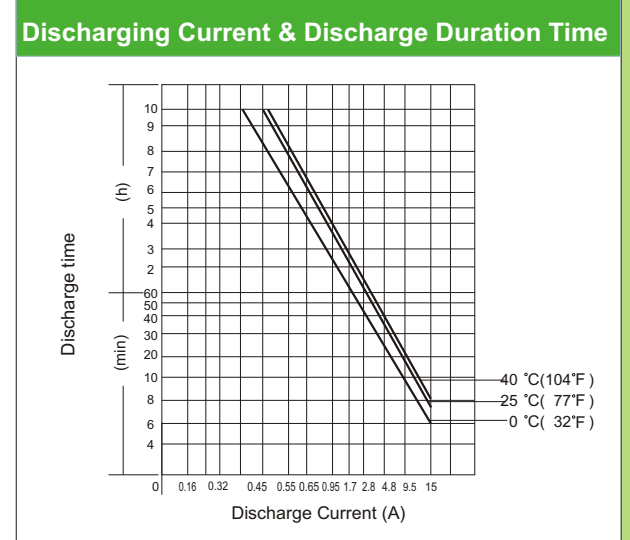




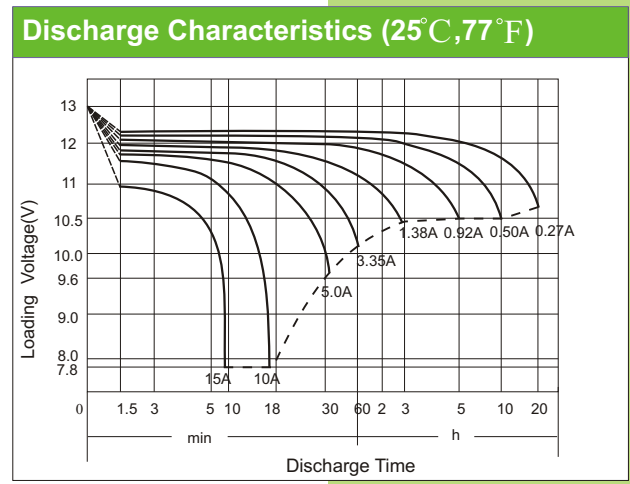
DJW12-5.0(12V5.0AH)



PHYSICAL SPECIFICATION		
Nominal Voltage	12V	
Nominal Capacity (20HR)	5.0AH	
Dimension	Length	151 ± 1mm (5.95 inches)
	Width	53 ± 1mm (2.09 inches)
	Container Height	93 ± 1mm (3.66 inches)
	Total Height (with Terminal)	99 ± 1mm (3.90 inches)
Weight	Approx 1.98kg (4.37lbs)	
Standard Terminal	T1 or T2 (standard)	



ELECTRICAL SPECIFICATION					
Rated Capacity	20 hour rate (270mA)	5.4AH	Constant Voltage	Cycle	Initial Charging Current less than 1.5A. Voltage 14.4V~ 15.0V at 25°C (77°F) Temp. Coefficient -30mV/°C
	10 hour rate (500mA)	5.0AH			
	5 hour rate (0.92A)	4.6AH			
	1 hour rate (3.35A)	3.35AH			
Capacity affected by Temperature	15minute rate (10.58A)	2.65AH	Standby Charge	Standby	No limit on Initial Charging Current Voltage 13.5V~13.8V at 25°C (77°F) Temp. Coefficient - 20mV/°C
	40°C (104°F)	103%			
	25°C (77°F)	100%			
Internal Resistance	0°C (32°F)	86%	Fully charged battery (25°C, 77°F) 30mΩ		



Constant Current (Amp) and Constant Power (Watt/Cell) Discharge Table											Discharge Time (Minute) to final voltage /cell			
Final voltage	time	0.5	1	2	3	6	10	20	30	60	120	180	300	600
1.75V	A	33.3	30.5	27.8	22.2	13.5	12.1	7.33	5.38	3.03	1.84	1.35	0.92	0.50
25°C	W	52.7	45.3	41.1	32.9	20.1	21.8	13.4	9.97	5.80	3.55	2.68	1.82	0.99
1.70V	A	45.0	40.3	36.6	29.1	17.3	13.2	7.70	5.60	3.13	1.91	1.38	0.96	0.52
25°C	W	72.3	61.9	55.9	45.3	25.9	22.8	14.0	10.3	5.96	3.80	2.70	1.87	1.04
1.60V	A	58.4	51.4	45.3	35.6	20.5	15.1	8.33	6.21	3.35	2.03	1.48	1.03	0.54
25°C	W	84.1	72.6	64.7	50.8	28.9	25.7	14.8	12.3	6.25	3.87	2.84	1.98	1.05
1.75V	A	29.1	26.3	24.5	19.4	11.6	10.8	6.56	4.82	2.71	1.65	1.20	0.82	0.44
5°C	W	46.3	41.6	38.9	30.5	18.9	19.5	12.0	8.92	5.19	3.18	2.39	1.63	0.88
1.70V	A	40.3	37.0	33.3	26.3	15.4	11.8	6.89	5.01	2.80	1.71	1.24	0.86	0.47
5°C	W	61.9	54.6	50.0	40.3	24.1	20.4	12.5	9.25	5.34	3.40	2.41	1.67	0.93
1.60V	A	50.0	44.4	38.4	30.6	17.0	13.5	7.45	5.56	3.00	1.81	1.32	0.92	0.48
5°C	W	77.3	67.5	60.2	48.6	28.2	23.0	13.3	11.0	5.59	3.46	2.54	1.77	0.94