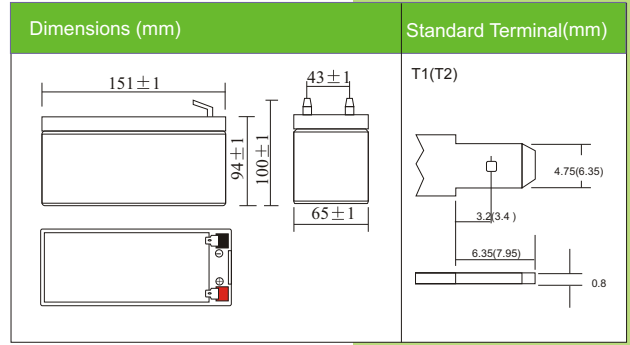
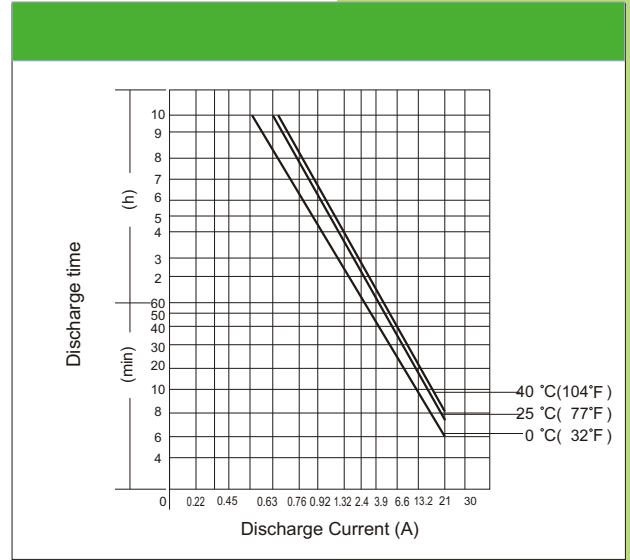




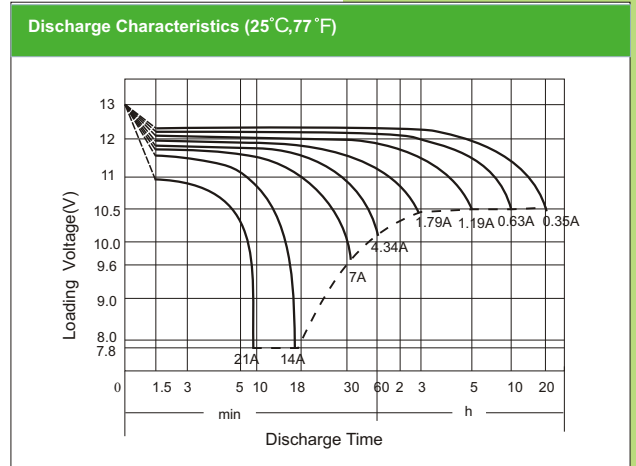
DJW12-7.0(12V7.0AH)



| PHYSICAL SPECIFICATION | | |
|-------------------------|------------------------------|-------------------------|
| Nominal Voltage | | 12V |
| Nominal Capacity (20HR) | | 7.0AH |
| Dimension | Length | 151 ± 1mm (5.95 inches) |
| | Width | 65 ± 1mm (2.56 inches) |
| | Container Height | 94 ± 1mm (3.70 inches) |
| | Total Height (with Terminal) | 100 ± 1mm (3.94 inches) |
| Weight | | Approx 2.54kg (5.6lbs) |
| Standard Terminal | | T1 or T2(standard) |



| ELECTRICAL SPECIFICATION | | | | | |
|----------------------------------|------------------------|--------|---|---------|---|
| Rated Capacity | 20 hour rate (350mA) | 7.0AH | Constant-Voltage | Cycle | Initial Charging Current less than 2.1A. Voltage 14.4V~ 15.0V at 25°C (77°F) Temp. Coefficient -30mV/°C |
| | 10 hour rate (630mA) | 6.3AH | | | |
| | 5 hour rate (1.19A) | 5.5AH | | | |
| | 1 hour rate (4.34A) | 4.34AH | | | |
| Capacity affected by Temperature | 15minute rate (13.72A) | 3.43AH | Charge | Standby | No limit on Initial Charging Current Voltage 13.5V~13.8V at 25°C (77°F) Temp. Coefficient - 20mV/°C |
| | 40°C (104°F) | 103% | | | |
| | 25°C (77°F) | 100% | | | |
| Internal Resistance | 0°C (32°F) | 86% | Fully charged battery (25°C, 77°F) 23mΩ | | |



| Constant Current (Amp) and Constant Power (Watt/Cell) Discharge Table | | | | | | | | | | | | Discharge Time (Minute) to final voltage /cell | | |
|---|---|------|------|------|------|------|------|------|------|------|------|--|------|------|
| Time | | 0.5 | 1 | 2 | 3 | 6 | 10 | 20 | 30 | 60 | 120 | 180 | 300 | 600 |
| 1.75V | A | 40.4 | 37.1 | 33.7 | 27.0 | 18.2 | 15.6 | 9.7 | 7.15 | 3.93 | 2.37 | 1.79 | 1.19 | 0.63 |
| 25°C | W | 64.0 | 55.0 | 49.9 | 39.8 | 27.2 | 28.2 | 16.7 | 13.2 | 7.51 | 4.55 | 3.57 | 2.36 | 1.25 |
| 1.70V | A | 54.4 | 48.9 | 44.3 | 35.4 | 23.4 | 17.0 | 10.0 | 7.43 | 4.06 | 2.45 | 1.84 | 1.25 | 0.66 |
| 25°C | W | 87.6 | 75.2 | 67.9 | 55.0 | 35.0 | 29.5 | 18.9 | 13.7 | 7.73 | 4.87 | 3.60 | 2.42 | 1.32 |
| 1.60V | A | 70.8 | 62.2 | 55.0 | 43.2 | 27.7 | 19.6 | 12.2 | 8.25 | 4.34 | 2.60 | 1.97 | 1.33 | 0.68 |
| 25°C | W | 102 | 88.1 | 78.6 | 61.7 | 39.0 | 33.3 | 22.7 | 16.3 | 8.10 | 4.96 | 3.78 | 2.57 | 1.34 |
| 1.75V | A | 35.4 | 32.0 | 29.7 | 23.6 | 15.6 | 14.0 | 9.6 | 6.40 | 3.52 | 2.12 | 1.61 | 1.07 | 0.56 |
| 5°C | W | 56.1 | 50.6 | 47.2 | 37.1 | 25.5 | 25.3 | 16.3 | 11.8 | 6.72 | 4.07 | 3.19 | 2.11 | 1.12 |
| 1.70V | A | 48.9 | 44.9 | 40.4 | 32.0 | 20.8 | 15.3 | 9.9 | 6.65 | 3.63 | 2.20 | 1.65 | 1.12 | 0.59 |
| 5°C | W | 75.2 | 66.2 | 60.7 | 48.7 | 32.5 | 26.4 | 17.7 | 12.3 | 6.92 | 4.36 | 3.22 | 2.16 | 1.18 |
| 1.60V | A | 60.7 | 53.9 | 46.7 | 36.4 | 22.9 | 17.5 | 11.2 | 7.39 | 3.88 | 2.33 | 1.77 | 1.19 | 0.61 |
| 5°C | W | 93.7 | 81.9 | 73.0 | 59.0 | 38.1 | 29.8 | 20.4 | 14.6 | 7.25 | 4.44 | 3.39 | 2.30 | 1.20 |