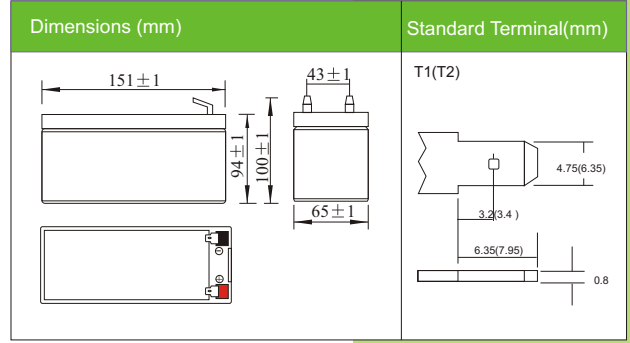


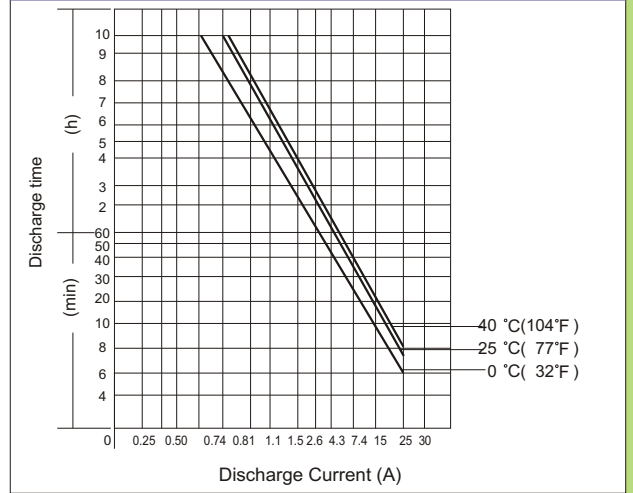


DJW12-7.6(12V7.6AH)



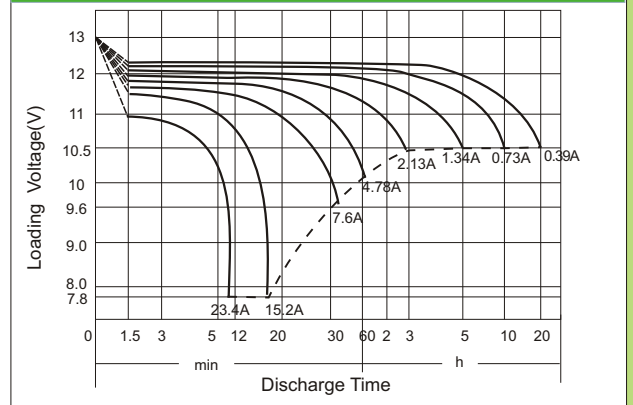
PHYSICAL SPECIFICATION		
Nominal Voltage		12V
Nominal Capacity (20HR)		7.6AH
Dimension	Length	151 ± 1mm (5.95 inches)
	Width	65 ± 1mm (2.56 inches)
	Container Height	94 ± 1mm (3.70 inches)
	Total Height (with Terminal)	100 ± 1mm (3.94 inches)
Weight		Approx 2.60kg (5.73lbs)
Standard Terminal		T1 or T2(standard)

Discharging Current & Discharge Duration Time



ELECTRICAL SPECIFICATION					
Rated Capacity	20 hour rate (390mA)	7.80AH	Constant-Voltage	Cycle	Initial Charging Current less than 2.28A. Voltage 14.4V~ 15.0V at 25°C (77°F) Temp. Coefficient -30mV/C
	10 hour rate (730mA)	7.30AH			
	5 hour rate (1.34 A)	6.70AH			
	1 hour rate (4.78A)	4.78AH			
Capacity affected by Temperature	15minute rate (14.7A)	3.68AH	Charge	Standby	No limit on Initial Charging Current Voltage 13.5V~13.8V at 25°C (77°F) Temp. Coefficient -20mV/C
	40C (104F)	103%			
	25C (77F)	100%			
Internal Resistance	0C (32F)	86%	Fully charged battery (25°C, 77°F) 18mΩ		

Discharge Characteristics (25°C, 77°F)



Constant Current (Amp) and Constant Power (Watt/Cell) Discharge Table

Final voltage	Time	Discharge Time (Minute) to final voltage /cell												
		0.5	1	2	3	6	10	20	30	60	120	180	300	600
1.75V	A	49.1	45.0	39.5	31.6	25.3	18.9	9.50	7.86	4.63	2.70	2.13	1.34	0.73
25°C	W	77.8	66.7	58.5	46.6	37.8	34.1	17.3	14.6	8.86	5.19	4.23	2.66	1.46
1.70V	A	66.1	59.3	51.9	41.5	32.5	20.6	9.98	8.18	4.78	2.80	2.18	1.41	0.77
25°C	W	106	91.3	79.6	64.4	48.6	35.7	18.2	15.1	9.11	5.55	4.26	2.73	1.54
1.60V	A	85.9	75.6	64.4	50.6	38.5	23.7	10.8	9.08	5.12	2.96	2.34	1.50	0.79
25°C	W	124	107	92.0	72.3	54.2	40.2	19.2	17.9	9.55	5.66	4.48	2.90	1.56
1.75V	A	43.0	38.9	34.8	27.6	21.7	16.9	8.50	7.04	4.15	2.41	1.90	1.20	0.66
5°C	W	68.2	61.4	55.3	43.4	35.4	30.5	15.5	13.0	7.93	4.64	3.78	2.38	1.31
1.70V	A	59.3	54.5	47.4	37.5	28.9	18.4	8.93	7.32	4.28	2.50	1.95	1.26	0.69
5°C	W	91.3	80.4	71.1	57.1	45.1	31.9	16.2	13.5	8.16	4.97	3.81	2.44	1.38
1.60V	A	73.7	65.5	54.7	42.7	31.8	21.2	9.66	8.13	4.58	2.65	2.09	1.35	0.71
5°C	W	114	99.5	85.5	69.1	52.9	36.0	17.2	16.0	8.55	5.06	4.01	2.59	1.39