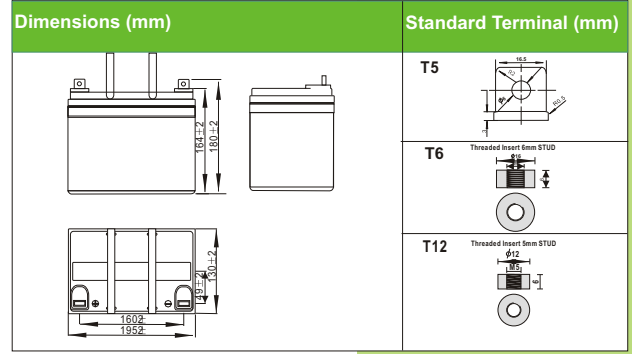
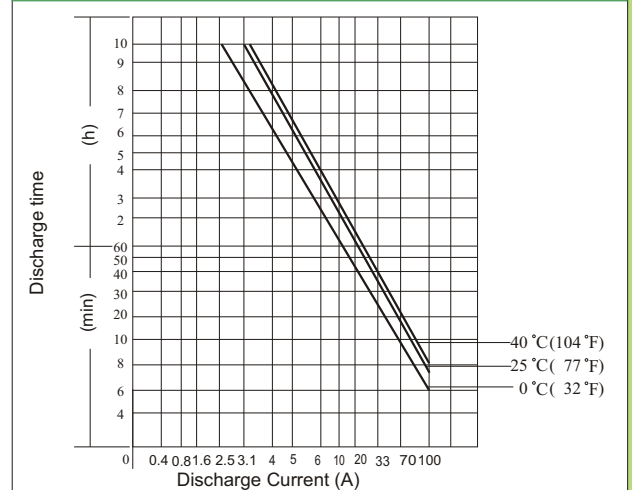




DJW12-33(12V33AH)



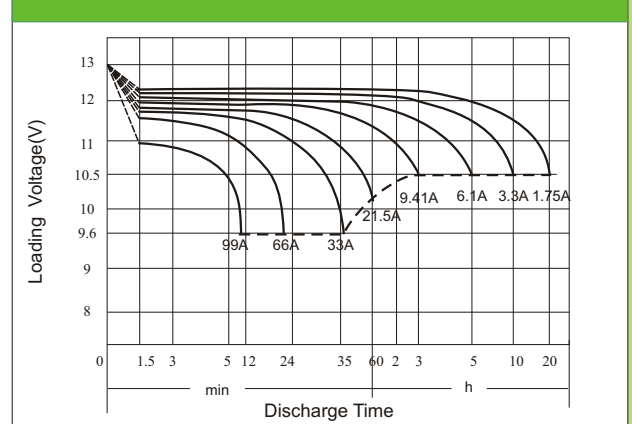
Discharging Current & Discharge Duration Time



PHYSICAL SPECIFICATION

Nominal Voltage		12V
Nominal Capacity (20HR)		35AH
Dimension	Length	195±2mm (7.68 inches)
	Width	130±2mm (5.12 inches)
	Container Height	164±2mm (6.46 inches)
	Total Height (with Terminal)	180±2mm (7.09 inches)
Weight		Approx 11.2kg (24.71lbs)
Standard Terminal		T5/T6/T12

Discharge Characteristics (25°C, 77°F)



ELECTRICAL SPECIFICATION

Rated Capacity	20 hour rate (1.75 A)	35 AH	Constant Voltage	Cycle	Initial Charging Current less than 9.9A. Voltage 14.4V~ 15.0V at 25°C (77°F) Temp. Coefficient -30mV/°C
	10 hour rate (3.3 A)	33 AH			
	5 hour rate (6.1 A)	30.5 AH			
	1 hour rate (21.45A)	21.45 AH			
	15minute rate (72.0A)	18.0 AH			
Capacity affected by Temperature	40C (104F)	103%	Charge	Standby	No limit on Initial Charging Current Voltage 13.5V~13.8V at 25°C (77°F) Temp. Coefficient -20mV/°C
	25C (77F)	100%			
	0C (32F)	86%			
Internal Resistance	Fully charged battery (25°C, 77°F) 11mΩ				

Constant Current (Amp) and Constant Power (Watt/Cell) Discharge Table

Final voltage	Time	Discharge Time (Minute) to final voltage /cell												
		0.5	1	2	3	6	10	20	30	60	120	180	300	600
1.75V	A	209	192	174	139	108.6	78.1	47.5	35.7	19.6	12.4	9.42	6.10	3.30
25°C	W	331	284	258	206	162.0	141.2	86.6	66.2	37.6	23.9	18.7	12.2	6.60
1.70V	A	282	252	180	182	131.7	85.2	49.9	37.2	20.3	12.9	9.66	6.23	3.51
25°C	W	453	388	351	284	196.7	147.7	90.8	68.7	38.7	25.7	18.9	12.6	6.99
1.60V	A	366	322	284	224	155.8	98.0	54.0	41.3	22.5	13.6	10.3	6.66	3.60
25°C	W	528	456	406	319	218.9	166.6	96.1	81.5	44.6	26.1	19.9	12.8	7.08
1.75V	A	182	165	154	122	87.2	69.9	42.5	32.0	17.6	11.1	8.43	5.33	2.99
5°C	W	290	261	244	192	143.3	126.4	77.5	59.2	33.6	21.4	16.8	10.6	5.96
1.70V	A	252	232	170	165	116.6	76.3	44.6	33.3	18.2	11.5	8.65	5.58	3.14
5°C	W	389	342	314	249	182.5	132.2	81.2	61.5	34.6	22.9	16.9	10.8	6.26
1.60V	A	314	279	241	189	129.1	89.3	48.3	36.9	20.3	12.2	9.26	5.96	3.22
5°C	W	487	423	377	304	214.5	151.8	86.0	72.9	38.1	23.3	17.8	11.5	6.34